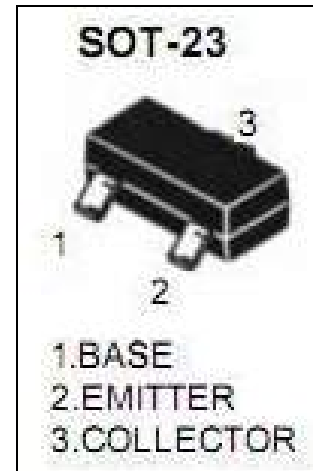


PNP Transistors

MMBT3906 MARKING:2A

MAXIMUM RATINGS ($T_A=25^{\circ}\text{C}$ unless otherwise noted)

Symbol	Parameter	Value	Units
V_{CB0}	Collector-Base Voltage	-40	V
V_{CE0}	Collector-Emitter Voltage	-40	V
V_{EB0}	Emitter-Base Voltage	-5	V
I_c	Collector Current -Continuous	-200	mA
P_c	Collector Dissipation	200	mW
$R_{\theta JA}$	Thermal resistance junction to ambient	625	$^{\circ}\text{C}/\text{W}$
T_J	Junction Temperature	150	$^{\circ}\text{C}$
T_{stg}	Storage Temperature	-55~+150	$^{\circ}\text{C}$

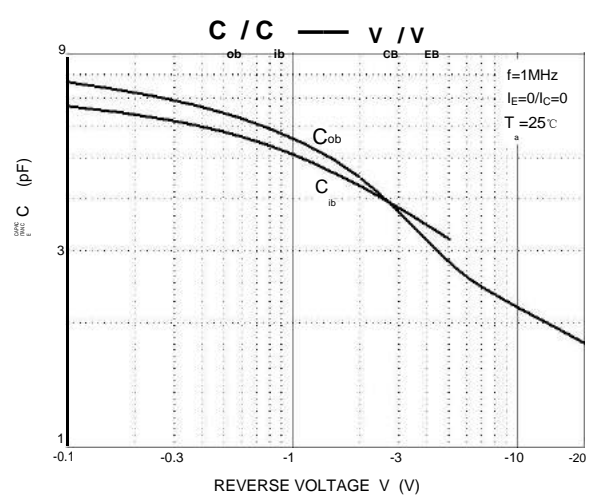
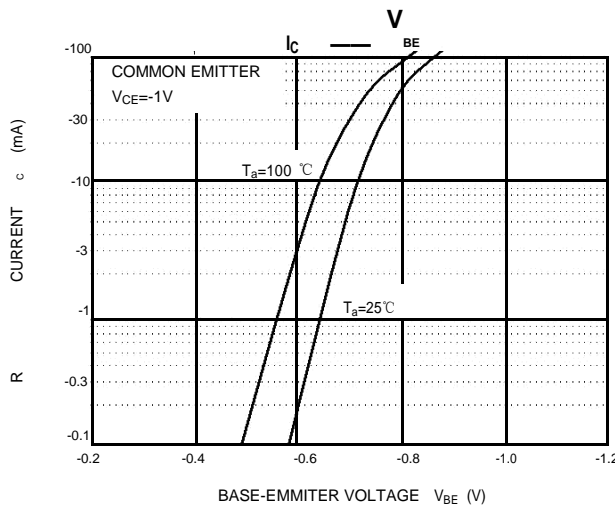
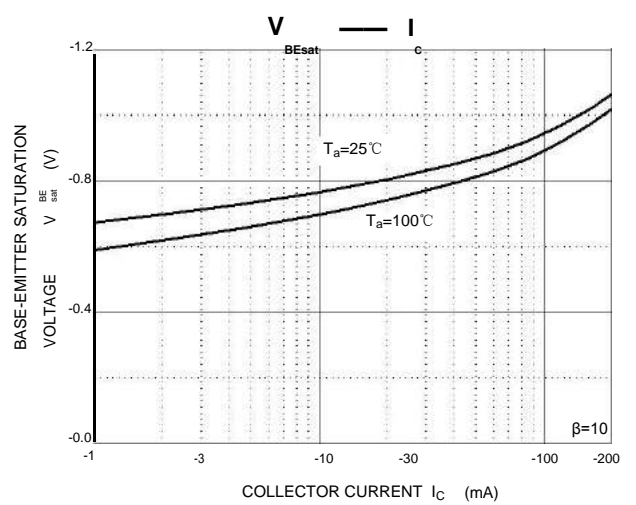
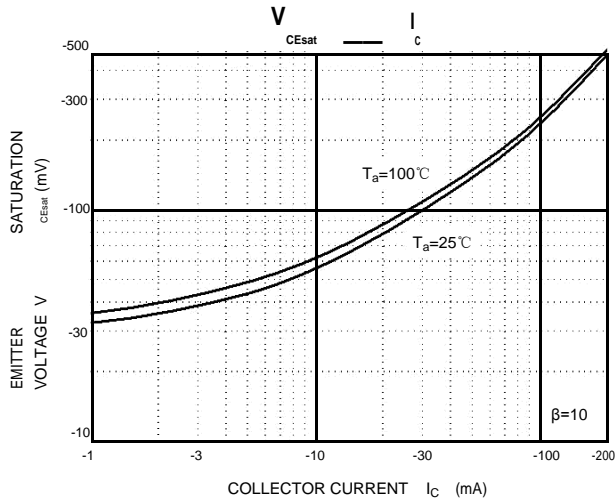
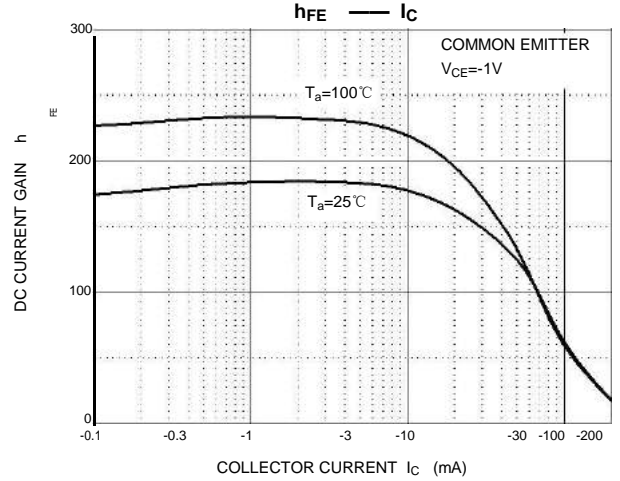
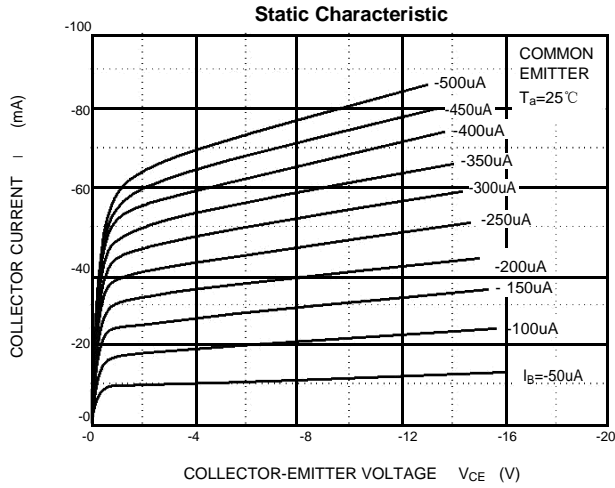


ELECTRICAL CHARACTERISTICS ($T_{amb}=25^{\circ}\text{C}$ unless otherwise specified)

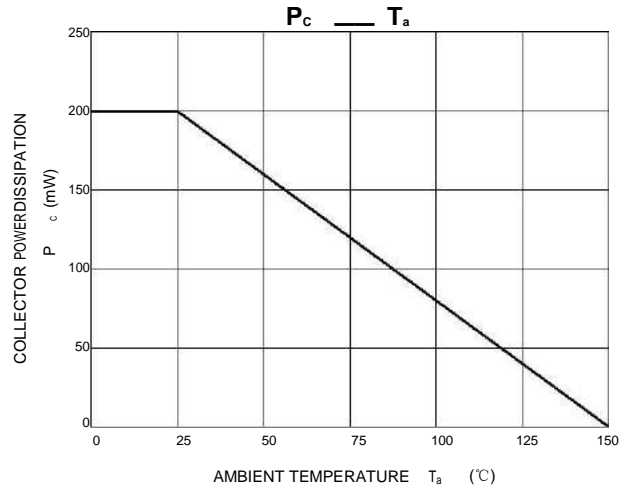
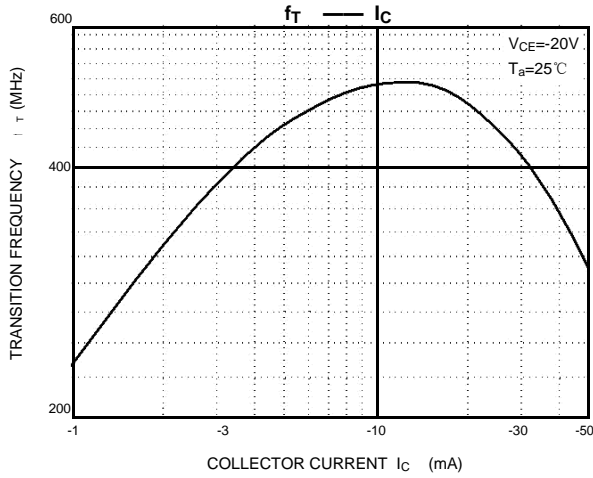
Parameter	Symbol	Test conditions	MIN	MAX	UNIT
Collector-base breakdown voltage	$V_{(BR)CBO}$	$I_c=-10\mu\text{A}, I_E=0$	-40		V
Collector-emitter breakdown voltage	$V_{(BR)CEO}$	$I_c=-1\text{mA}, I_B=0$	-40		V
Emitter-base breakdown voltage	$V_{(BR)EBO}$	$I_E=-10\mu\text{A}, I_c=0$	-5		V
Collector cut-off current	I_{CBO}	$V_{CB}=-30\text{V}, I_E=0$		-100	nA
Collector cut-off current	I_{CEX}	$V_{CE}=-30\text{V}, V_{BE(off)}=-3\text{V}$		-50	nA
Emitter cut-off current	I_{EBO}	$V_{EB}=-5\text{V}, I_c=0$		-100	nA
DC current gain	h_{FE1}	$V_{CE}=-1\text{V}, I_c=-10\text{mA}$	100	300	
	h_{FE2}	$V_{CE}=-1\text{V}, I_c=-0.1\text{mA}$	60		
	h_{FE3}	$V_{CE}=-1\text{V}, I_c=-100\text{mA}$	30		
Collector-emitter saturation voltage	$V_{CE(sat)1}$	$I_c=-50\text{mA}, I_B=-5\text{mA}$		-0.3	V
Base-emitter saturation voltage	$V_{BE(sat)}$	$I_c=-50\text{mA}, I_B=-5\text{mA}$		-0.95	V
Transition frequency	f_T	$V_{CE}=-20\text{V}, I_c=-10\text{mA}, f=100\text{MHz}$	250		MHz
Delay Time	t_d	$V_{CC}=-3\text{V}, V_{BE}=-0.5\text{V}$		35	nS
Rise Time	t_r	$I_c=-10\text{mA}, I_{B1}=I_{B2}=-1\text{mA}$		35	nS
Storage Time	t_s	$V_{CC}=-3\text{V}, I_c=-10\text{mA}$		225	nS
Fall Time	t_f	$I_{B1}=I_{B2}=-1\text{mA}$		75	nS

PNP Transistors

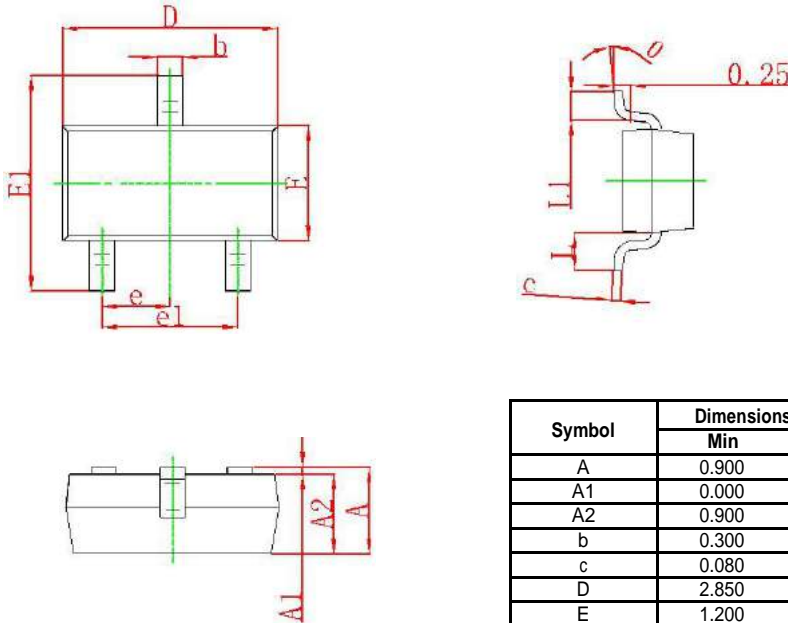
Typical Characteristics



PNP Transistors

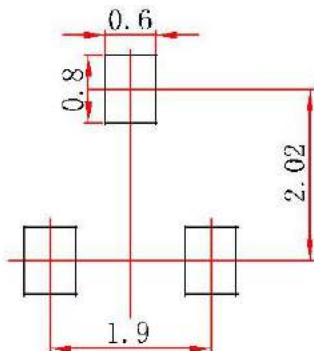


SOT-23 Package Outline Dimensions



Symbol	Dimensions In Millimeters		Dimensions In Inches	
	Min	Max	Min	Max
A	0.900	1.150	0.035	0.045
A1	0.000	0.100	0.000	0.004
A2	0.900	1.050	0.035	0.041
b	0.300	0.500	0.012	0.020
c	0.080	0.150	0.003	0.006
D	2.850	3.090	0.110	0.118
E	1.200	1.400	0.047	0.055
E1	2.250	2.550	0.089	0.100
e	0.950 TYP		0.037 TYP	
e1	1.800	2.000	0.071	0.079
L	0.550 REF		0.022 REF	
L1	0.300	0.500	0.012	0.020
θ	0°	8°	0°	8°

SOT-23 Suggested Pad Layout



Note:
 1. Controlling dimension: in millimeters.
 2. General tolerance: ± 0.05mm.
 3. The pad layout is for reference purposes only.